



S17CSB

S20 Series / S32 Series

SWISS TYPE CNC AUTO LATHES

- *High productivity and low cost*
- *Back spindle*
- *Indexing function*
- *Short length of remnant material*
- *Raw material machining*

CNC-TAKANG

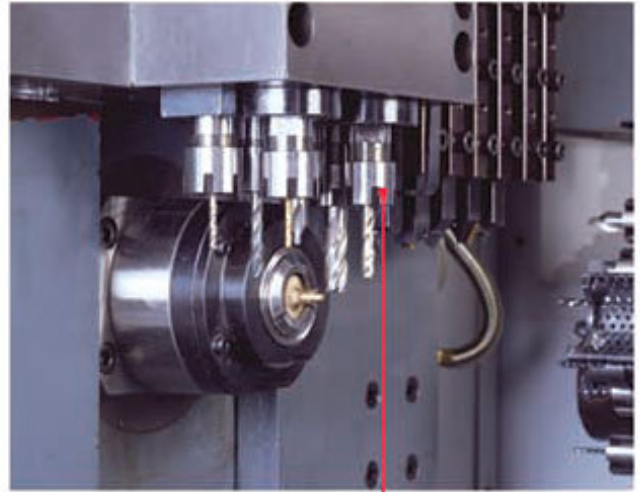
CNC-TAKANG CO., LTD.
MANUFACTURER & EXPORTER

SWISS TURN SERIES

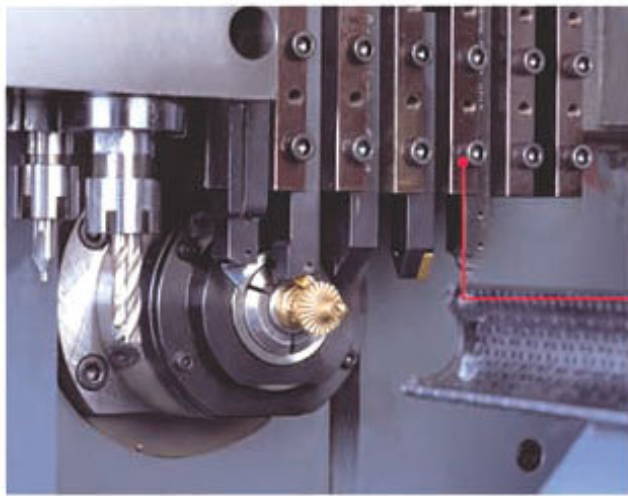
S20/S32 Series

FEATURES:

- High productivity and low cost
- Sub spindle
- Indexing function
- Short length of remnant material
- Raw material machining

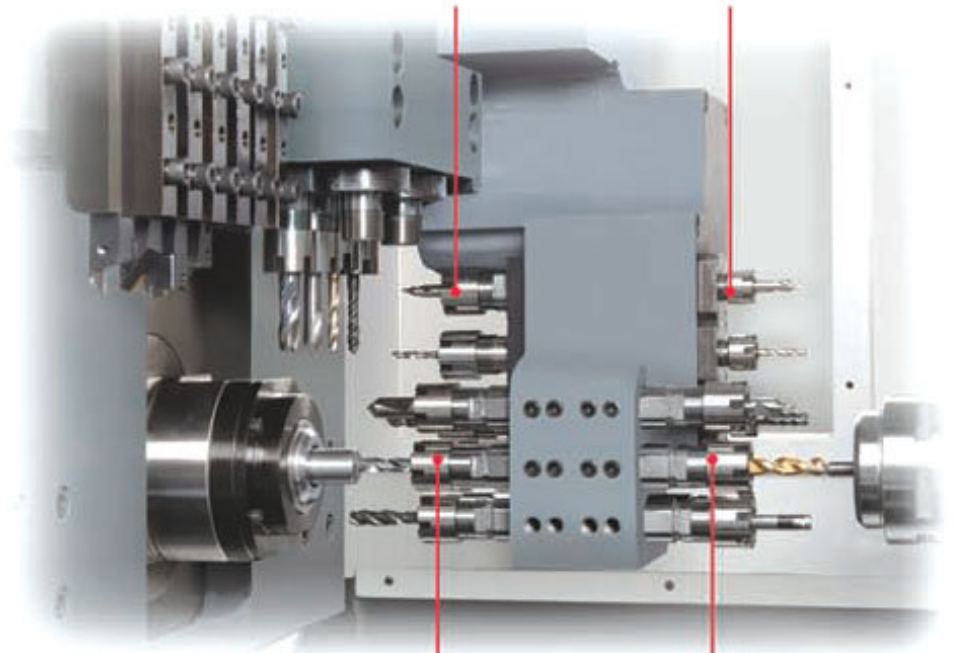


6 Cross Working Driven Tools
(Cross side drilling / milling / tapping)



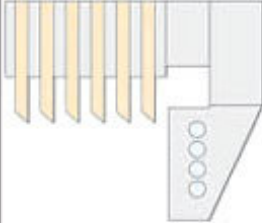
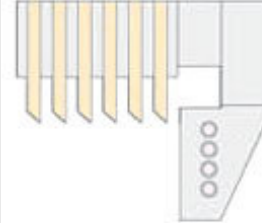
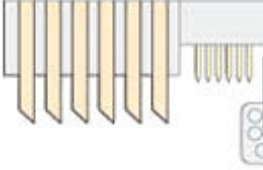
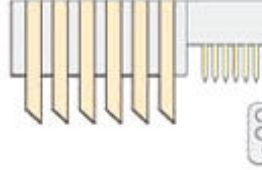
6 O.D. Turning Tools

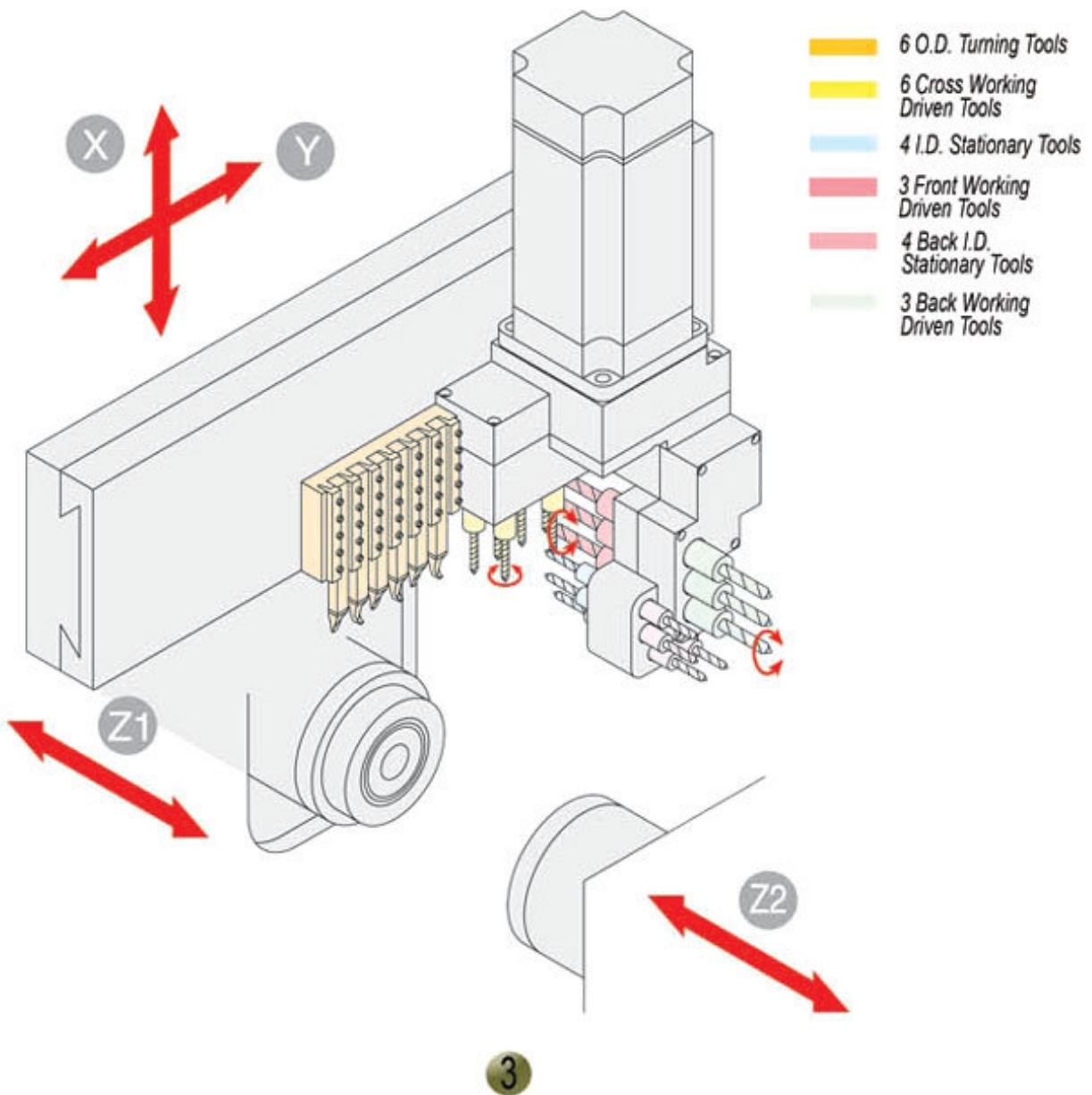
3 Front Working Driven Tools
(Front eccentric drilling / tapping)



4 I.D. Stationary Tools

TOOL POST:

S20 / S32	S20B / S32B	S20CS / S32CS	S20CSB / S32CSB
			
6 O.D. Turning Tools 4 I.D. Stationary Tools	6 O.D. Turning Tools 4 I.D. Stationary Tools 4 Back I.D. Stationary Tools	6 O.D. Turning Tools (32 type with 5 O.D. Turning Tools) 4 I.D. Stationary Tools 6 Cross Working Driven Tools 3 Front Working Driven Tools (Option)	6 O.D. Turning Tools (32 type with 5 O.D. Turning Tools) 4 I.D. Stationary Tools 6 Cross Working Driven Tools 3 Front Working Driven Tools (Option) 4 Back I.D. Stationary Tools 3 Back Working Driven Tools



S20 Specifications

SPECIFICATIONS :

ITEMS		S20	S20B	S20CS	S20CSB
Working Range	Max. turning dia.	∅20 mm			
	Max. turning length	250 mm			
	Max. drilling dia.	14 mm			
	Max. tapping dia.	M10			
	Center height	960 mm			
O.D. Tooling	Number of tools	6			
	Dimension	□12X12X100			
I.D. Tooling	Number of tools	4			
	Dimension	10 mm (ER16)			
Cross working driven tooling	Number of tools	—		6	
	Dimension	—		10 mm (ER16)	
	Cross spindle speed	—		200-6000 rpm	
	Number of tools	—		3	
	Dimension	—		10 mm (ER16)	
	Spindle Speed	—		6000 rpm	
Back I.D. Tooling	Number of tools	—	4	—	4
	Dimension	—	10 mm (ER16)	—	10 mm (ER16)
Back working Driven tooling	Number of tools	—			3
	Dimension	—			7 mm (ER11)
	Spindle Speed	—			6000 rpm
Spindle	Spindle hole dia.	∅21 mm			
	Spindle speed	200-10000 rpm			
Back spindle	Back spindle hole dia.	—	∅21 mm	—	∅21 mm
	Back spindle speed	—	7500 rpm	—	7500 rpm
	Max. length for front ejection	—	80 mm	—	80mm
	Rapid speed	18M/ min			
Motor	Spindle motor	3.7kw			
	Back spindle motor	—	1.5kw	—	1.5kw
	X1/Y1/Z1 axes motor	0.5kw			
	Z2 Axis Motor	—	0.5kw	—	0.5kw
	Coolant pump	0.18kw			
	Lubrication	4W			
	Cross spindle	—		0.75 kw	
Air	Air Pressure	5kg/cm2			
	Air Supply	10L /min			
Machine Dimensions	Weight	2150 kg	2650 kg	2168 kg	2668 kg
	Machine size(mm)	1588x988x1568	1788x988x1568	1588x988x1568	1788x988x1568

※ THE SPECIFICATIONS ARE SUBJECT TO CHANGE WITHOUT PRIOR NOTICE.

■ MACHINE ACCESSORIES : (⊙ : Standard — : No available OP : option)

ITEMS	S20	S20B	S20CS	S20CSB
Spindle 5" indexing	⊙	⊙	⊙	⊙
Part off detective sensor	⊙	⊙	⊙	⊙
Coolant system	⊙	⊙	⊙	⊙
Working light	⊙	⊙	⊙	⊙
Part catcher	⊙	⊙	⊙	⊙
Fixed bushing	⊙	⊙	⊙	⊙
Living bushing	OP	OP	⊙	⊙
Cross working driven tool	—	—	⊙	⊙
Back spindle	—	⊙	—	⊙
Front working driven tool	—	—	OP	⊙
Back working driven tool	—	—	—	⊙
CF axis	—	—	OP	OP
Rough material bushing (Max. Machining = Bar diameter x3)	OP	OP	OP	OP
Chip conveyor / Chip bucket	OP	OP	OP	OP

S32 Specifications

SPECIFICATIONS :

ITEMS		S32	S32B	S32CS	S32CSB
Working Range	Max. turning dia.	Ø33 mm			
	Max. turning length	250 mm			
	Max. drilling dia.	26 mm			
	Max. tapping dia.	M12			
	Center height	960 mm			
O.D. Tooling	Number of tools	6			5
	Dimension	□16X16X120			
I.D. Tooling	Number of tools	4			
	Dimension	13 mm (ER20)			
Cross working driven tooling	Number of tools	-		6	
	Dimension	-		13 mm (ER20)	
	Cross spindle speed	-		200-6000 rpm	
Front working driven tooling	Number of tools	-		3	
	Dimension	-		13 mm (ER20)	
	Spindle Speed	-		6000 rpm	
Back I.D. Tooling	Number of tools	-	4	-	4
	Dimension	-	13 mm (ER20)	-	13 mm (ER20)
Back working Driven tooling	Number of tools	-			3
	Dimension	-			10 mm (ER16)
	Spindle Speed	-			6000 rpm
Spindle	Spindle hole dia.	Ø36 mm			
	Spindle speed	200-8000 rpm			
Back spindle	Back spindle hole dia.	-	Ø33 mm	-	Ø33 mm
	Back spindle speed	-	6000 rpm	-	6000 rpm
	Max. length for front ejection	-	220 mm	-	220mm
	Rapid speed	18M/ min			
Motor	Spindle motor	5.5kw			
	Back spindle motor	-	1.5kw	-	1.5kw
	X1/Y1/Z1 axes motor	0.5kw			
	Z2 Axis Motor	-	0.5kw	-	0.5kw
	Coolant pump	0.55kw			
	Lubrication	4W			
	Cross spindle	-		0.75 kw	
Air	Air Pressure	5kg/cm2			
	Air Supply	10L /min			
Machine Dimensions	Weight	2270 kg	2270 kg	2288 kg	2788 kg
	Machine size(mm)	2200x1140x1568	2550x1140x1568	2200x1140x1568	2550x1140x1568

※ THE SPECIFICATIONS ARE SUBJECT TO CHANGE WITHOUT PRIOR NOTICE.

■ MACHINE ACCESSORIES : (◎ : Standard — : No available OP : option)

ITEMS	S32	S32B	S32CS	S32CSB
Spindle 5" indexing	◎	◎	◎	◎
Part off detective sensor	◎	◎	◎	◎
Coolant system	◎	◎	◎	◎
Working light	◎	◎	◎	◎
Part catcher	◎	◎	◎	◎
Fixed bushing	◎	◎	◎	◎
Living bushing	OP	OP	◎	◎
Cross working driven tool	-	-	◎	◎
Back spindle	-	◎	-	◎
Front working driven tool	-	-	OP	◎
Back working driven tool	-	-	-	◎
CF axis	-	-	OP	OP
Rough material bushing (Max. Machining = Bar diameter x3)	OP	OP	OP	OP
Chip conveyor / Chip bucket	OP	OP	OP	OP

S17CSB

FEATURES:

- High productivity and low cost
- Sub spindle
- Indexing function
- Short length of remnant material
- Raw material machining



S17CSB



A: Back Driven Tools (4pcs) B: Face Driven Tool (1pc)
C: Cross Driven Tools (3pcs) D: Subspindle



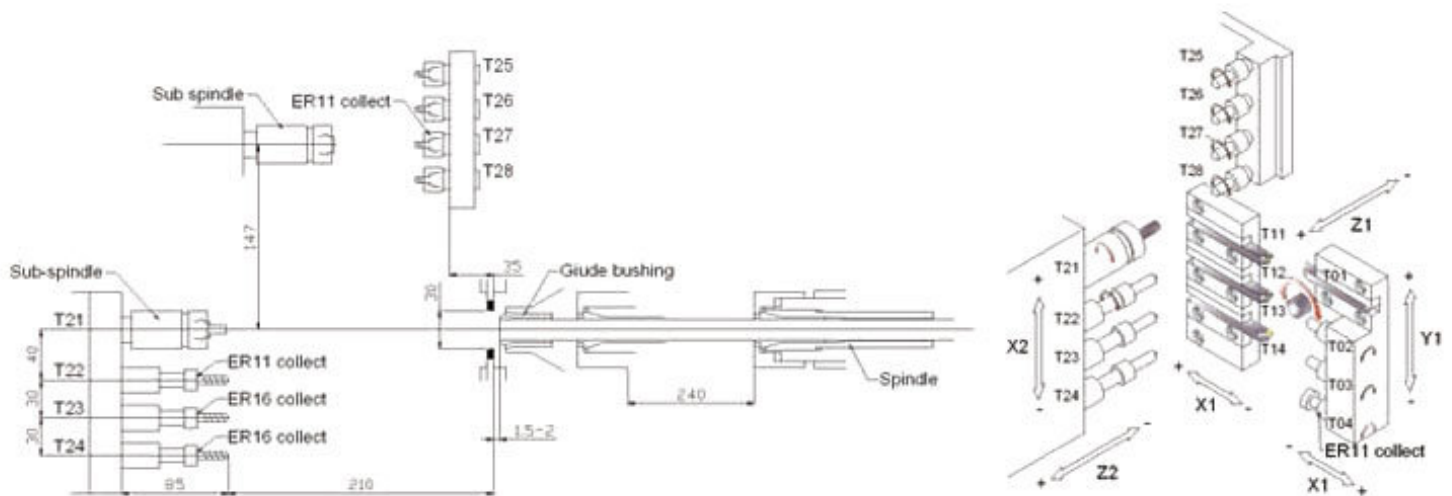
PC based controller



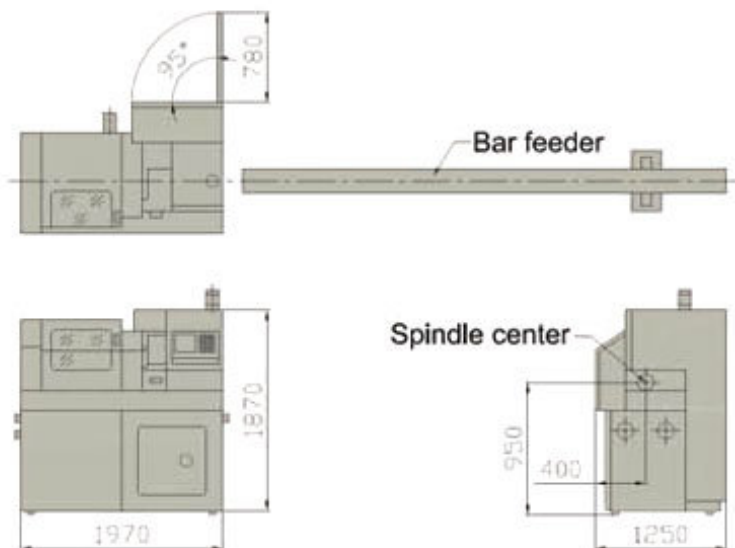
3 Fixed Back Tools

- Simultaneous backside and outside processing possible for shorter machining time.
- High precision machining through built-in spindle motor and rigid gang-type tool rests.
- With 1 face, 3 cross and 4 back live tools.
- Both Z-axis at spindle and subspindle sides can synchronize, reducing vibration of slender parts while machining.
- In addition to 15 degree-increment pin-locked spindle (SP1) indexing, Cs-axis control is also available, permitting arbitrary angle positioning and work engraving.
- Rigid tapping is available at face, back and cross sides (not available at cross side if equipped with FANUC 18i-T controller).
If it is necessary, 2 tools (one upon another) can be mounted on one O.D. tool position.

TOOL POST:



FLOOR SPACES:



SAMPLE:



MODEL

ITEMS	S17CSB
Controlled axes: X1, Y1, Z1, C1, X2, Z2, C2	
Bar capacity	Ø17 mm
Z-axis travel (if fixed guide bush)	240 mm
Z-axis travel (if rotary guide bush)	215 mm
X-axis travel	32 mm
Gang type OD tool position Nos.	4
Face fixed ID tool Nos.	2
Face / Back / Cross live tool Nos.	1/4/3
Main spindle motor capacity (rated / 30 minutes)	1.1 / 3.7 KW
Subspindle motor capacity (rated / 30 minutes)	0.5 / 1.1 KW
Servo axis motor capacity (rated)	0.75 KW
Cross / Back live motor capacity (rated)	0.75 / 0.4 KW
Max. main spindle motor speed	10,000 rpm
Max. subspindle motor speed	10,000 rpm
Max. speed of cross powered tools	4,000 rpm
Max. speed of face powered tool	4,000 rpm
C1 axis	Cs
C2 axis	Cs
15-degree-increment pin-locked spindle positioning	
Tool shank size	
OD tool	□ 12 mm
Collet for face fixed I.D. tool	ER16
Collet for face live tool	ER11
Collet for back I.D. tool	ER11
Collet for cross live tool	ER11

Standard Accessories

1. Tools, collet, guide bush for requested parts.
2. Complete set of ER11 & ER16 collet holders.
3. Spare floating type tap collet holder.
4. Part catcher.
5. Fixed guide bush holder.
6. Coolant flow sensor.
7. Coolant pump 1HP.
8. 3-tiered operation pilot lamp.
9. Tool setup block gauges.
10. MPG.
11. Standard tools & tool box.
12. Mitsubishi controller

Optional Accessories

1. Rotary guide bush holder.
2. Automatic bar feeder.
3. FANUC controller.
4. Chip conveyor.
5. Oil mist collector.
6. Machine with 3 fixed back I.D. tools.

※ THE SPECIFICATIONS ARE SUBJECT TO CHANGE WITHOUT PRIOR NOTICE.

CNC-TAKANG CO., LTD.

No. 72, Alley 7, Lane 98, 1st Road,
Taichung Industry Park, Taichung, TAIWAN
FAX: +886-4-2359-6064 E-mail: takang@ms17.hinet.net
TEL: (04)2359-6056 Web site: www.cnctakang.com.tw