



## TAPPING CENTER

---

Model: VTC-510 / VTC-710

**CNC-TAKANG**

**CNC-TAKANG CO., LTD.**  
MANUFACTURER & EXPORTER

**VTC-SERIES**

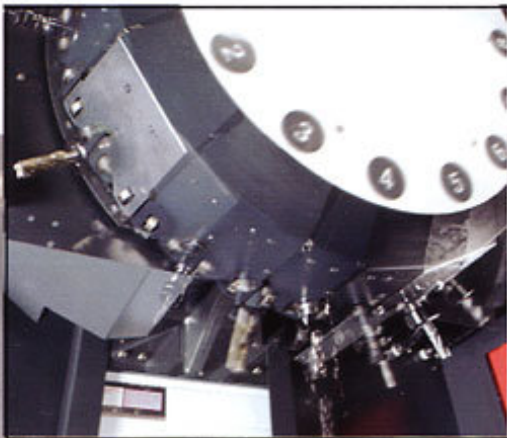
# VTC Series

## FEATURE

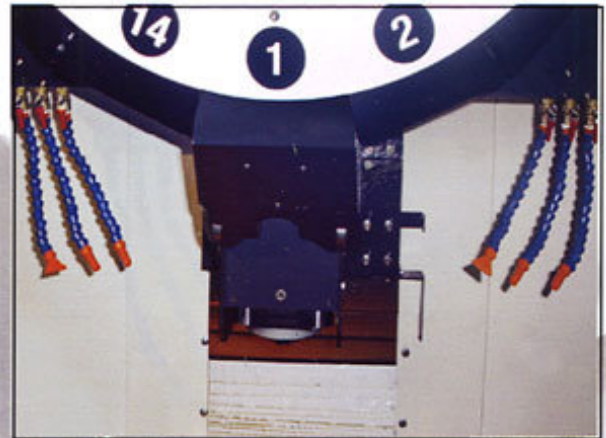
- HIGH PRODUCTIVITY
- LOWER PRODUCTION COST
- FAST RAPID SPEED  
48/48/48 M/min (60/60/60 M/min Opt.)
- HIGH SPEED DIRECT TYPE SPINDLE  
10,000 rpm (12,000/15,000/20,000 Opt.)



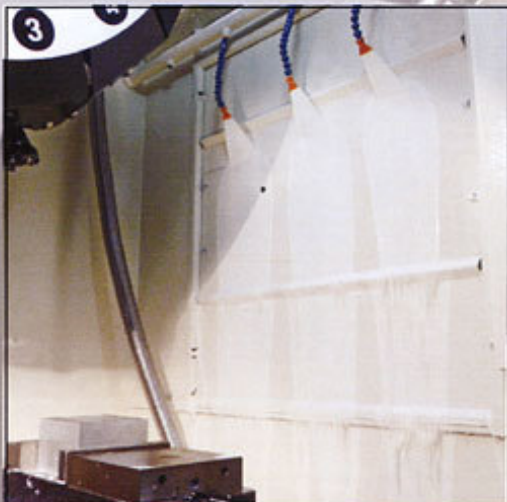
DIRECT TYPE SPINDLE



FAST TOOL CHANGE



MULTIPLE COOLING DEVICES IMPROVE PROCESSING EFFICIENCY (COOLANT X 4, AIR X 2)



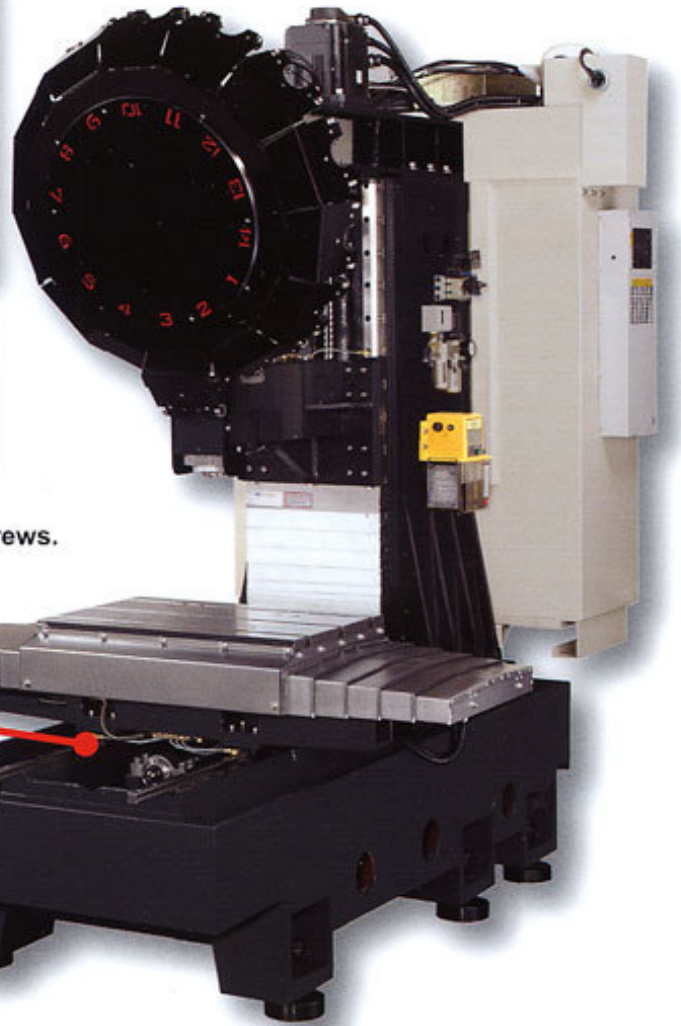
CHIP FLUSHING SYSTEM DESIGN



SPECIAL DESIGNED CHIP OUTLET FOR CHIP REMOVAL.

## MACHINING CAPABILITY

MATERIAL	DRILLING	TAPPING	MILLING
	Tool diameter x Feed rate (mm/min)	Tool diameter x Pitch (mm/min)	Cutting amount (cm <sup>3</sup> /min)=Cutting width x Cutting depth x Feed rate (mm/min)
ADC	Ø20 x 0.5mm	M16 x P2	258CC=40 X 3.5 X 2560/1000



Three axes are adopt C3 level high precision ball screws.



TWO COOLANT PUMPS

## CNC ROTARY TABLE



Bridge Unit & Chuck



GX-P series



SR series



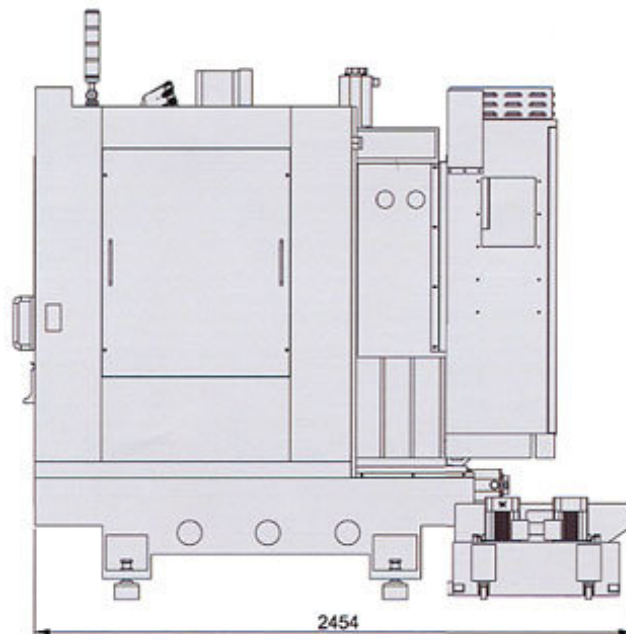
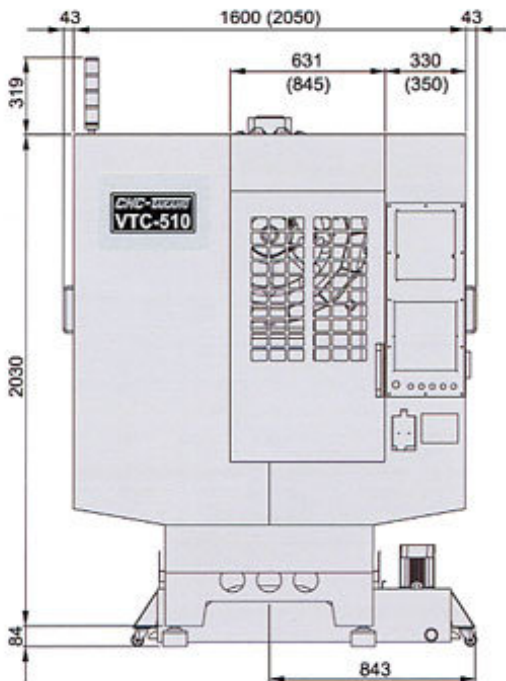
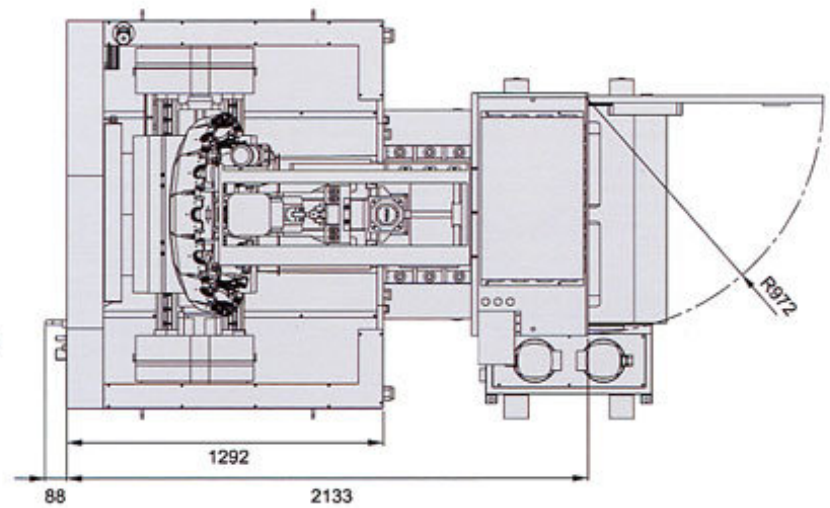
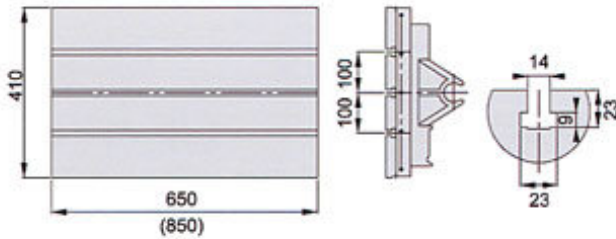
GF series



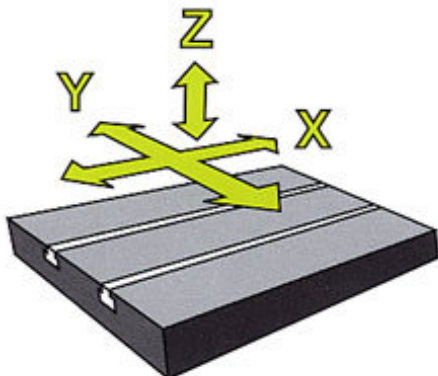
GX series

## MACHINE DIMENSION VTC-510 (VTC-710)

### Table size & T-Slot

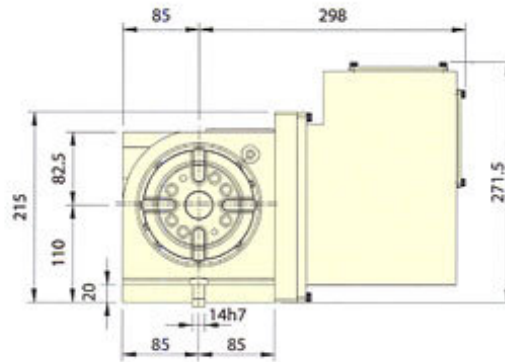
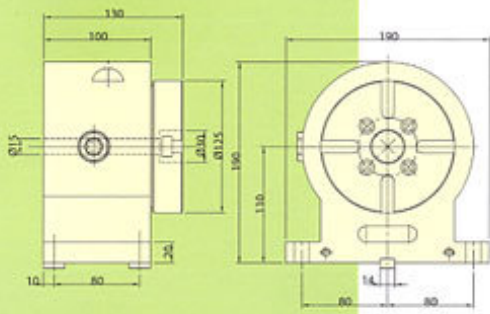


### TRAVEL

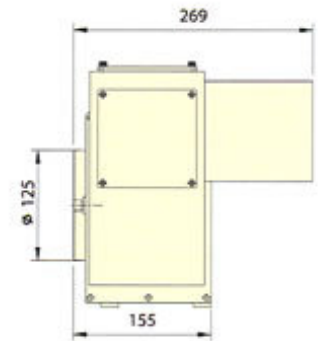


MACHINING RANGE	VTC-510	VTC-710
X AXIS	510 mm	710 mm
Y AXIS	410 mm	
Z AXIS	350 mm	
TABLE HEIGHT	800 mm	
MAX. TABLE LOAD	250 kgs	

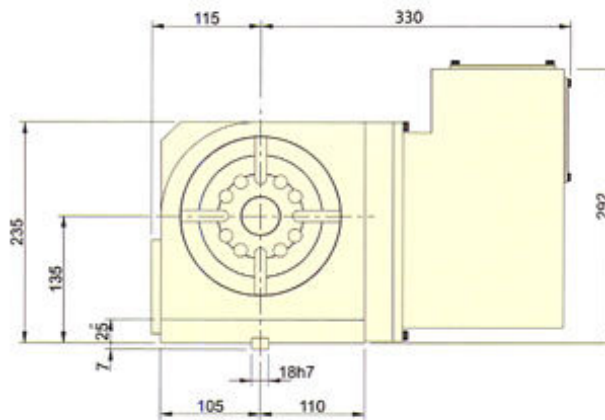
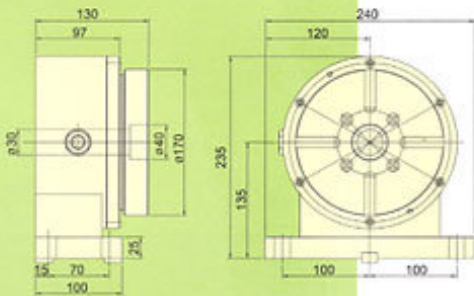
SR125P



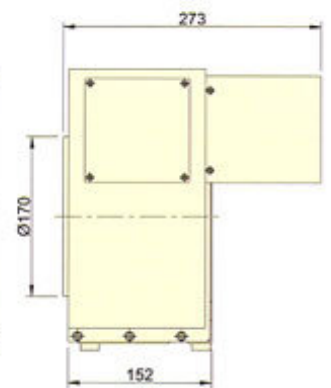
GX-125P



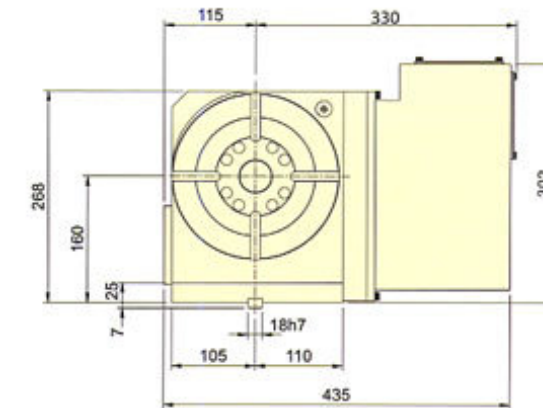
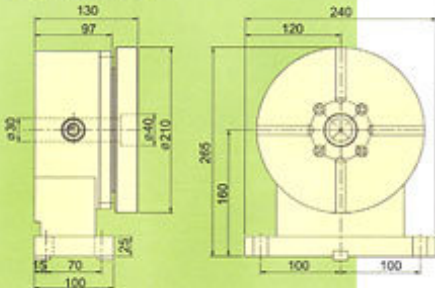
SR170P



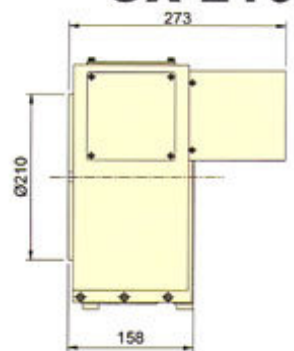
GX-170P



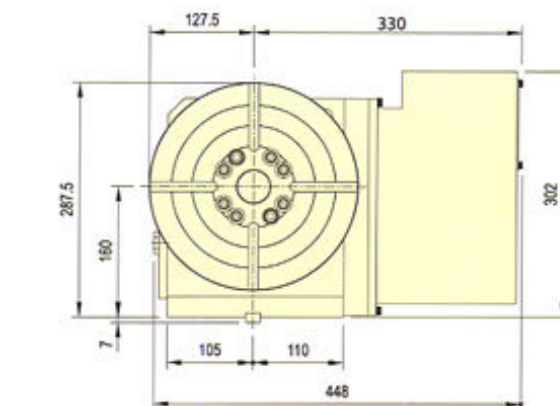
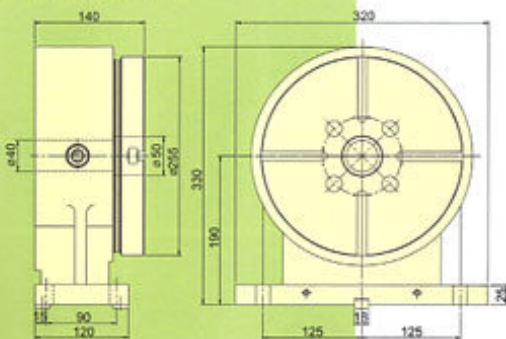
SR210P



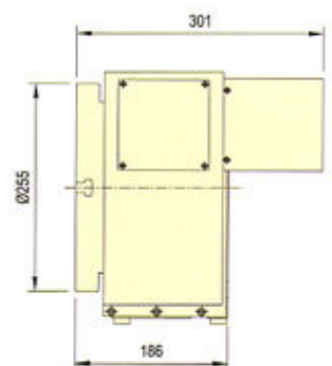
GX-210P



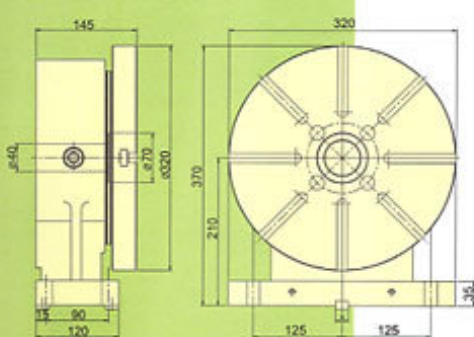
SR255H



GX-255P



SR320H



# SPECIFICATIONS

MODEL	DESCRIPTION	VTC-510	VTC-710
<b>TABLE</b>	Table Size, mm	650 x 410	850 x 410
	Travel Ranges (X / Y / Z), mm	510 / 410 / 350	710 / 410 / 350
	Max. Table Load, kgs	250	
	Spindle Nose to Table Surface, mm	180 - 530	
	T-Slot (Width x Distance x Number), mm	14 x 100 x 3	
<b>SPINDLE</b>	Tool Shank & Pull Stud	BT 30	
	Spindle Speed, rpm	Direct Type 10 – 10000	
<b>FEED RATE</b>	Rapid Feed Rate (X / Y / Z), M/min	48 / 48 / 48	
	Feed Rate (X / Y / Z), M/min	10	
<b>MOTOR</b>	Main Motor (Con. /30 Min), kw	3.7 / 5.5	
	AC Servo Motor (X / Y / Z), kw	1.5 / 1.5 / 3.0 (MITSUBISHI) 1.2 / 1.2 / 1.8 (FANUC)	
<b>AUTOMATIC TOOL CHANGER</b>	MAG Type	Turret	
	Tool Storage Capacity (pcs)	14 (OPT. 20+1)	
	Max. Tool Diameter, mm	77	
	Max. Tool Length, mm	200	
	Tool Change Time, sec	1.7 (T to T) 3.0 (C to C)	
<b>MISCELLANEOUS</b>	Air Requirement, kg/cm <sup>2</sup>	6	
	Power Requirement	15 KVA	
	Machine Weight NW/GW kgs	2550/3050	2750/3250
	Floor Space (L x W x H), mm	1686 x 2500 x 2400	2176 x 2500 x 2400

※ THE SPECIFICATIONS ARE SUBJECT TO CHANGE WITHOUT PRIOR NOTICE.

## Standard Accessories:

1. Mitsubishi M70 controller
2. Coolant & Auto lubrication system
3. Work light
4. Full splash guard
5. 3 axes telescope steel cover
6. Cutting air blower
7. Operation status light
8. Remote MPG
9. RS-232C
10. Heat exchanger for electrical cabinet
11. Tool box & tools
12. Leveling bolts & pads
13. Operation & program manuals

## Options:

1. Fanuc Oi controller
2. Spindle speed, 12000, 15000, 20000 rpm
3. Spindle oil cooler
4. Arm type 20+1 tools
5. Rapid traverse 60 M/min
6. Coolant through spindle 5 bar
7. Auto tool-length measurement
8. Chip conveyor
9. Transformer
10. 4th axis (CNC rotary table)
11. 5th axis (CNC tilting table)
12. Column add 150, 250 mm

## CNC-TAKANG CO., LTD.

No. 72, Alley 7, Lane 98, 1st Road,

Taichung Industry Park, Taichung 40767, TAIWAN

FAX: +886-4-2359 6064 E-mail: takang@ms17.hinet.net

TEL: (04)2359 6056 Web site: www.cnctakang.com.tw